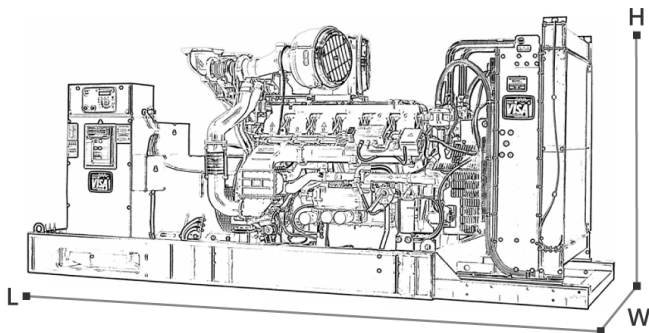




### POWERFULL "U"



For illustrative purposes only

#### ENGINE

|                             |                             |
|-----------------------------|-----------------------------|
| Engine brand                | CUMMINS                     |
| Engine model                | KTA50-G3                    |
| Cylinders                   | 16                          |
| Speed                       | 1500 r.p.m.                 |
| Cubic capacity              | 50.30 l                     |
| Air intake                  | Turbocharged                |
| Standard voltage            | 24 Vdc                      |
| Optional voltage            | Vdc                         |
| Sae                         | 0-18                        |
| BMEP                        | 1744 kPa                    |
| Cooling                     | Water                       |
| Flywheel P.R.P. Power       | 1074.0 kW                   |
| Flywheel Stand-by Power     | 1204.0 kW                   |
| Fuel Cons. at 100% (L.T.P.) | 293.0 l/h                   |
| Fuel Cons. at 100% (P.R.P.) | 261.0 l/h                   |
| Fuel Cons. at 75% (P.R.P.)  | 199.0 l/h                   |
| Fuel Cons. at 50% (P.R.P.)  | 139.0 l/h                   |
| Fuel Cons. at 25% (P.R.P.)  | 76.0 l/h                    |
| Electronic regulator        | Standard                    |
| Precision class             | G2                          |
| Oil quantity                | 177.0 l                     |
| Engine Antifreeze capacity  | 161.0 l                     |
| Radiator standard           | IM50                        |
| Heat from radiator          | 775.0 kW                    |
| Heat from exhaust           | 845.0 kW                    |
| Heat from radiation         | 150.0 kW                    |
| Exhaust temperature         | 525 °C                      |
| Cooling air flow            | 1818.00 m <sup>3</sup> /min |
| Combustion air flow         | 104.80 m <sup>3</sup> /min  |
| Exhaust gas flow            | 240.70 m <sup>3</sup> /min  |
| TA Luft                     | Not available               |
| TA Luft/2                   | Not available               |
| EPA                         | Not available               |
| Stage                       | Not available               |

#### MAIN DATA

|                                    |                        |
|------------------------------------|------------------------|
| Continuous power (PRP)             | 1225.0 (kVA)           |
| Continuous power (PRP)             | 980.0 (kW)             |
| Stand-by power (LTP)               | 1310.0 (kVA)           |
| Stand-by power (LTP)               | 1048.0 (kW)            |
| Voltage • Frequency • Power Factor | 380V • 50Hz • 0.8 cosφ |
| Sound pressure 7 m.                | 0.0 dBA                |

#### DIMENSIONS AND WEIGHT

|        |          |
|--------|----------|
| Width  | 2200 mm  |
| Length | 5500 mm  |
| Height | 2400 mm  |
| Weight | 11200 kg |

#### ALTERNATOR

|                      |                            |
|----------------------|----------------------------|
| Alternator brand     | STAMFORD                   |
| Alternator model     | PI734A                     |
| P.R.P. Power         | 1225.0 kVA                 |
| L.T.P. Power         | 1310.0 kVA                 |
| Connection           | Star                       |
| Phases               | 3PH+N                      |
| Winding              | 6 terminals winding<br>312 |
| Terminal Number      | 6 nr.                      |
| IP Protection        | 23                         |
| Electronic regulator | MX341                      |
| Precision            | 1.0 ± %                    |

#### BASEFRAME

|                 |      |
|-----------------|------|
| Model           | ST60 |
| Standard tank   | 0 l  |
| Optional tank   | 0 l  |
| Oversized tank* | 0 l  |

#### CANOPY & SILENCER

|                          |              |
|--------------------------|--------------|
| Canopy model             | SENZA COFANO |
| Silencer model           | MS 45        |
| Silencer outlet diameter | 219.0 mm     |

Standard reference conditions temperature 25°C, altitude 100m asl, relative humidity 30%, atmospheric pressure 100 kPa (1 bar), power factor 0.8 lag, balanced load - non distortional. Fuel consumption is nominal and refers to specific weight 0,850kg/l. Sound power values refer to free field conditions: the installation site may influence the values. Dimensions, weights and other specifications contained in the technical data sheet and related attachments are nominal, subject to tolerances and refer to the model with standard equipment; any optional and additional equipment/accessories can modify weight, dimensions, performance.

**P.R.P. Prime Power-Continuous power at variable load:** The power that a genset can supply in continuous service at a variable load for an unlimited number of hours per year while respecting the maintenance intervals established in the environmental conditions stated by the Manufacturer. according to ISO8528-1. The average power supplied over time and any applicable overload must be less than the percentages stated by the Manufacturer.

**L.T.P. Limited-time running power-Limited power:** The maximum power that a genset can supply for a limited time respecting the maintenance intervals established in the environmental conditions stated by the Manufacturer according to ISO 8528-1. The number of hours per year is stated by the Manufacturer. Overload is not permitted.

The data contained in this document is nominal and refers to the standard equipped model and is not binding. Visa S.p.A. reserves the right to revise the information without notice per our policy of continuous product development and improvement.

